

1. Turn seat over to access harness adjuster strap and splitter plate.



2. Cut the adjuster strap below splitter plate. Cut it in a straight line, and only cut once. Do not pull adjuster strap out of slot.



3. Remove harness straps from splitter plate.

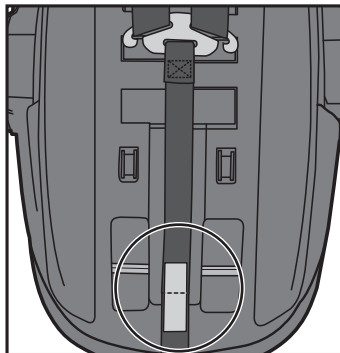
1. Turn seat over to access harness adjuster strap and splitter plate.

2. Cut the adjuster strap below splitter plate. Cut it in a straight line, and only cut once. Do not pull adjuster strap out of slot.

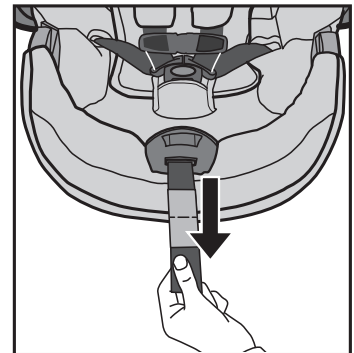
3. Remove harness straps from splitter plate.



4. Attach new adjuster strap to the harness splitter plate, ensuring that tag faces seat.



5. Tape new adjuster strap to original adjuster strap with supplied tape as shown. Press tape firmly in place. Do not let tape extend over the edge of strap.

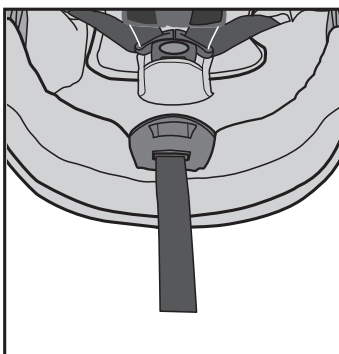


6. Pull adjuster strap through the harness adjuster slot. Pull until original strap is out and new strap is through the slot.

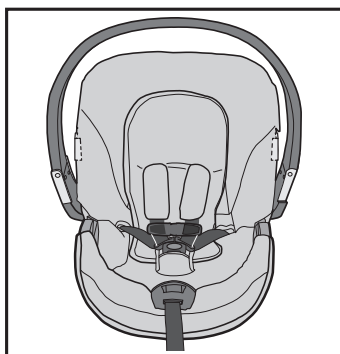
4. Attach new adjuster strap to the harness splitter plate, ensuring that tag faces seat.

5. Tape new adjuster strap to original adjuster strap with supplied tape as shown. Press tape firmly in place. Do not let tape extend over the edge of strap.

6. Pull adjuster strap through the harness adjuster slot. Pull until original strap is out and new strap is through the slot.



7. Remove original strap and tape, and discard.



8. Seat is now ready to use.

7. Remove original strap and tape, and discard.

8. Seat is now ready to use.

Instructional Videos



<https://cybex-online.com/en-us/safety-notice-and-recalls/sirona-m>

Cybex Customer Care:
1-877-242-5676